

# FLOOR BOXES



ADAPTABILITY

IDEAL FOR OFFICES, MEETING  
ROOMS, SCHOOLS, COMPUTER  
ROOMS, AMPHITHEATRES,  
HOSPITALS AND SHOPS

# A TRULY UNIVERSAL RANGE

Adaptability,  
modularity  
& convenience

Whether you are a design office, architect, project manager or end user, you will be in awe by this new modular range of floor boxes, both attractive and easy to use. Its key features can be summed up in 3 words. They can be integrated in any type of floor (concrete screed or raised floor), in commercial and public buildings.

# A LOOK WHICH MATCHES YOUR REQUIREMENTS

Floor boxes integrate seamlessly in any type of floor (concrete screed or raised floor) and can be laid under any type of floor covering. Their attractive finish makes them ideal for numerous different configuration depending on connection requirements and the number of sockets to be equipped.

## AESTHETIC APPEARANCE: NUMEROUS POSSIBLE OPTIONS

There are two simple design type with 2 finishes, plastic or stainless steel, to match the floor covering and give the desired final appearance.

TYPES



8 or 16 module box

FINISHES



Plastic ●



Stainless steel ●

## STANDARD OR SHALLOW BOX CONFIGURATIONS

Wiring accessories in vertical position



### ARTEOR MODULES



DESIGNED WITH USER CONVENIENCE  
AND SAFETY IN MIND, THE FLOOR  
BOXES INTEGRATE SEAMLESSLY IN  
ANY TYPE OF APPLICATION



# AN IMPECCABLE FINISH AND EASE OF ACCESS

Convenience  
and safety for  
unrestricted use

As well as being easy to install, floor boxes are convenient for users, with easily-accessible sockets near their workstation, which are guaranteed safe due to their customised protection.

## CONVENIENCE AND SAFETY

### SAFE CABLE OUTLETS



Flexible for plastic trims



Stainless steel trim



Cable held in place by guides inside the box



### STAINLESS STEEL FINISHING PLATES



Impeccable finish and extra strength

### LOCKING ACCESSORIES



Screwdriver lock (only suitable for plastic trims)

**EASY TO OPEN**  
Ergonomic handle or metal button, for unrestricted use

## DISCREET AND FLAWLESS INTEGRATION



Stainless steel trim and plate

















Plastic trim

CONFORMING TO  
AS/NZS IEC 60670.23

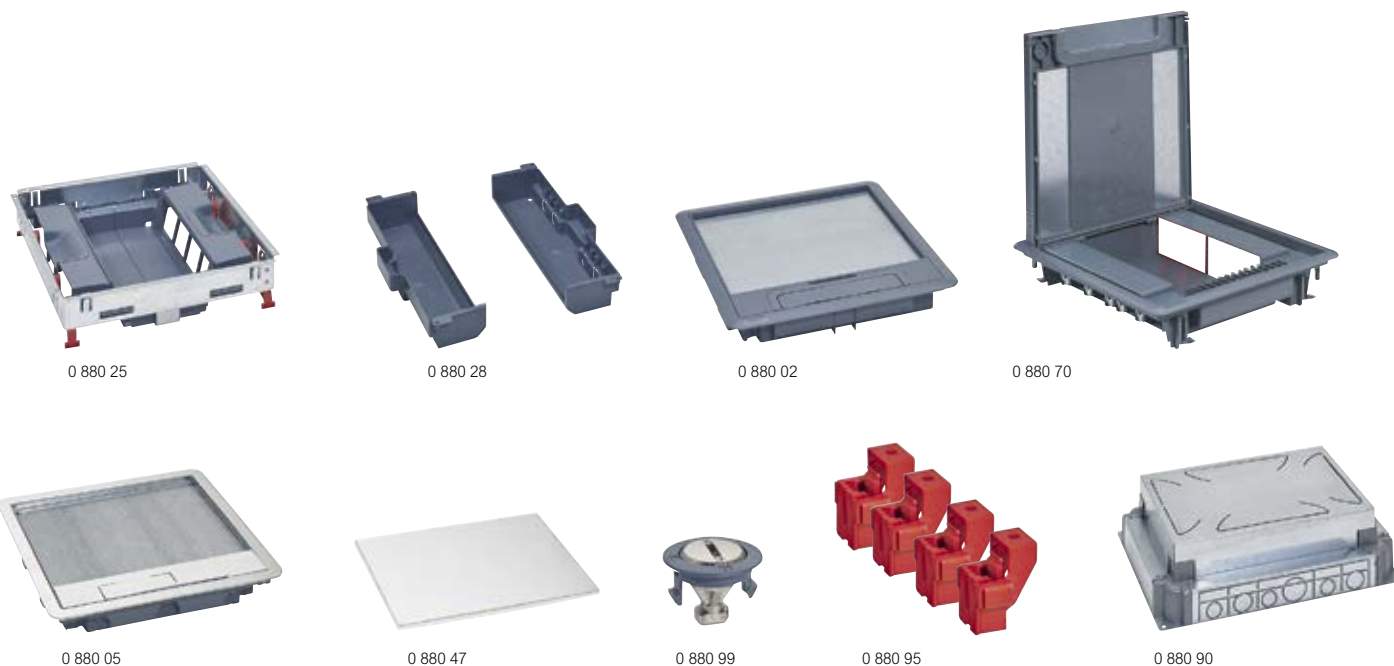
IMPACT RESISTANCE  
IK 08 (with cover closed)

# FLOOR BOXES SELECTION CHART

FLOOR BOXES FOR RAISED FLOOR	TYPE	FLOOR BOX KIT	LIDS & TRIMS FLOORING THICKNESS ≤ 8 mm	
				 Plastic lid and trim
FLOOR BOXES OR CONCRETE FLOOR	<b>Shallow</b>  H min: 50 mm	0 880 70 16 (2 x 8) modules	Supplied with plastic trim as part of the shallow box kit	
	<b>Standard</b>  H min: 83 mm	0 880 23 8 (2 x 4) modules	Plastic	0 880 00
		0 880 25 16 (2 x 8) modules	Stainless steel	0 880 03
				Plastic
			Stainless steel	0 880 05
 =  ⊕  or  ⊕				
	TYPE	FLOOR BOX KIT	BACKBOXES	
FLOOR BOXES OR CONCRETE FLOOR	<b>Shallow</b>  H min: 50 mm	0 880 70 16 (2 x 8) modules	 0 880 73	
	<b>Vertical</b>  H min: 68 mm	0 880 23 8 (2 x 4) modules	0 880 90 Auto-adjusting backbox for screen height 65mm-90mm	
		0 880 25 16 (2 x 8) modules	0 880 92 Auto-adjusting backbox for screen height 65mm-90mm	
 =  ⊕  or  ⊕				

STAINLESS STEEL PLATES (optional)		INSULATION BOXES		ARTEOR ACCESSORY MODULES (OPTIONAL)	
				<b>ARTEOR ACCESSORY MODULES (OPTIONAL)</b>   AR787AMWE 2P+E 10A socket (2 module)   572300 RJ 11 socket (1 module)   572171 Single TV star socket (1 module)   571907 F type Pay-TV socket 2.4GHz (1 module)   572302 Cat 6 socket (1 module)   572314 Cat 6 socket (2 module)   572094 USB 3.0 data socket (1 module)   572096 HDMI 1.4 type A socket (1 module)   572097 HD15 VGA socket (1 module)   572273 RCA 3 audio link Female sockets (1 module)   572077 USB Charger: 1 x Type A and 1 x Type C 230V - 5V, 3A, 15W (2 module)   572071 USB Charger: 1 x Type A 230V - 5V, 1.5A, 5.5W (1 module)   572484 USB Charger: 1 x Type C 230V - 5V, 1.5A, 7.5W (1 module)   572341 Blank module (1 module)   572342 Blank module (2 module)	
0 880 72		0 880 71			
0 880 15		0 880 26			
0 880 45					
0 880 17		0 880 28			
0 880 47					
 Insulation boxes		  Arteor accessories			
LIDS & TRIMS FLOORING THICKNESS ≤ 8 MM		STAINLESS STEEL PLATES (OPTIONAL)			
 Plastic lid and trim		 Stainless steel lid and trim			
Supplied with plastic trim as part of the shallow box kit		0 880 72			
Plastic	0 880 00	0 880 15			
Stainless steel	0 880 03	0 880 45			
Plastic	0 880 02	0 880 17			
Stainless steel	0 880 05	0 880 47			
 Auto-adjusting backbox		  Arteor accessories			

## Floor boxes and accessories



Pack	Cat.Nos	Standard floor box kit	Pack	Cat.No	Shallow floor box kit
1	0 880 23	8 (2 x 4) modules	1	0 880 70	Shallow 16 (2 x 8) modules, supplied complete with plastic trim.
1	0 880 25	16 (2 x 8) modules			
		<b>Lids and trims</b>			<b>Concrete back box for shallow versions</b>
		<b>Plastic</b>	1	0 880 73	Backbox for shallow concrete floor (for 088070)
1	0 880 00	For 8 module standard floor box (088023)	1	0 880 71	<b>Electrical insulation kits</b>
1	0 880 02	For 16 module standard floor box (088025)	1	0 880 72	Insulation box for raised floors (for 088070)
		<b>Metal lids and trims with stainless steel coating</b>			<b>Stainless steel plate (optional)</b>
1	0 880 03	8/12 modules - Cat.Nos 0 880 20/23/39			For shallow floor box
1	0 880 05	16/24 modules - Cat.Nos 0 880 22/25/41			Cat.No 0 880 70
		<b>Stainless steel plate (optional)</b>			
1	0 880 15	For 8 module standard floor box plastic Lid and trim (088000)			
1	0 880 17	For 16 module standard floor box plastic lid and trim (088017)			
1	0 880 45	For 8 module standard floor box stainless steel lid and trim (088003)			
1	0 880 47	For 16 module standard floor box stainless steel lid and trim (088005)			
		<b>Electrical insulation kits</b>			
1	0 880 26	Only required for raised floor installations			
1	0 880 28	For 8 module standard floor box (088023)			
		<b>Concrete back box for Standard versions</b>			
1	0 880 90	Backbox for 8 module standard box (for 088023)			
1	0 880 92	Backbox for 16 module standard box (for 088025)			
		<b>Accessories</b>			
1	0 880 99	Screw driver locking accessory for standard floor box with plastic lid and trim			
1	0 880 95	Additional 4 clamp fixing kit for use with standard floor box (088023 or 088025) used for raised floor installations			

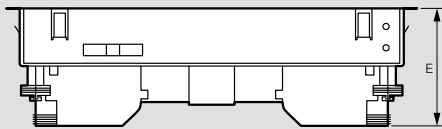
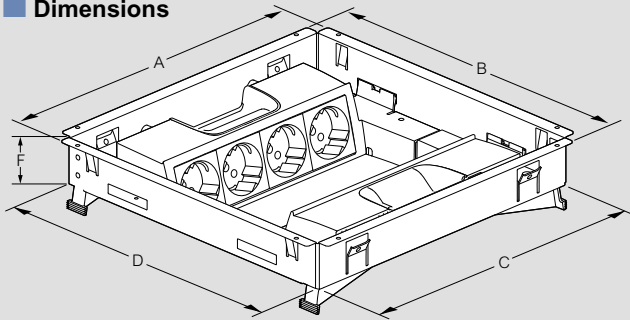


# Standard and shallow floor boxes

## technical characteristics

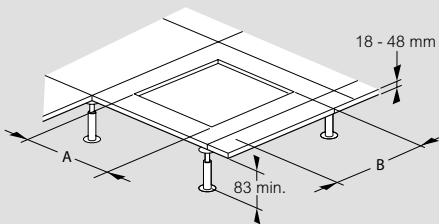
### STANDARD VERSION

#### ■ Dimensions



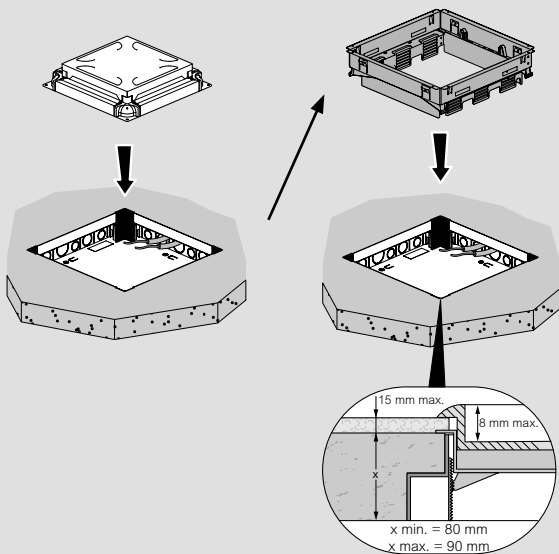
Cat.No	A (mm)	B (mm)	C (mm)	D (mm)	E (mm)	F (mm)
0 880 23	199	282	181	264	81	67
0 880 25	282		264			

#### ■ For installation in raised floor



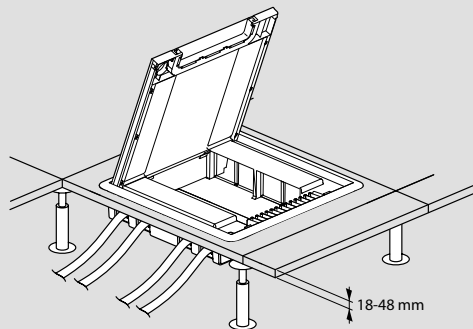
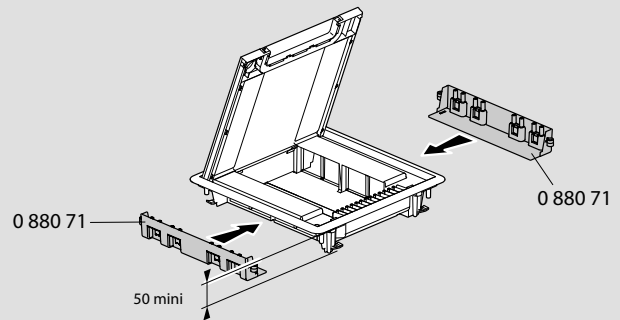
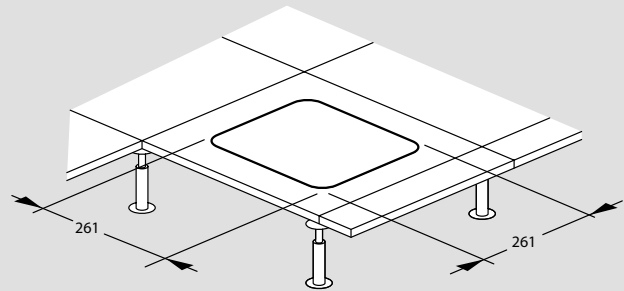
Cat.No	A (mm)	B (mm)
0 880 23	181	264
0 880 25	264	

#### ■ For installation in concrete

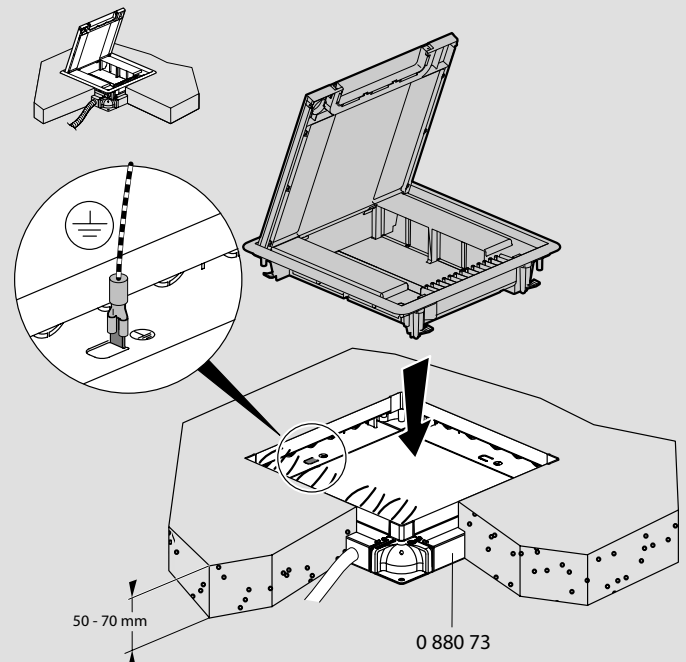


### SHALLOW VERSION

#### ■ For installation in raised floor



#### ■ For installation in concrete

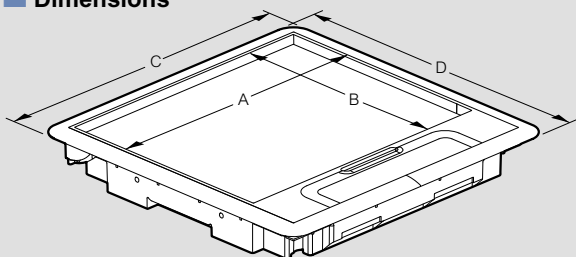


# Standard version floor boxes - metal lid and trim and finishing plate

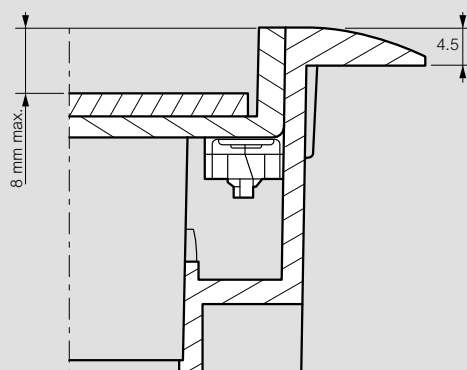
technical characteristics

## PLASTIC LIDS AND TRIMS FOR STANDARD FLOOR BOXES

### ■ Dimensions

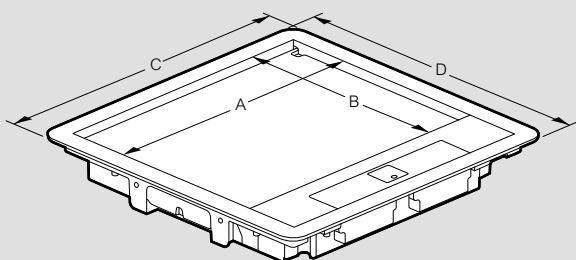


Cat.No	A (mm)	B (mm)	C (mm)	D (mm)
0 880 00	245	117	286	203
0 880 02		200		286

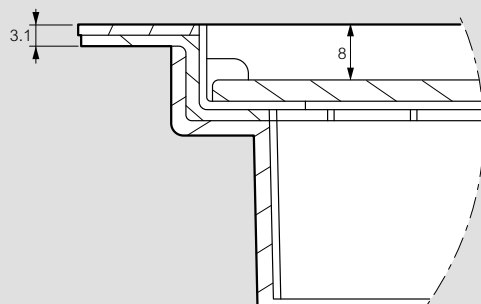


## STAINLESS STEEL LID AND TRIM FOR STANDARD FLOOR BOXES

### ■ Dimensions

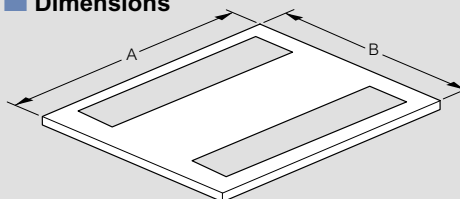


Cat.No	A (mm)	B (mm)	C (mm)	D (mm)
0 880 03/06	250	118	286	203
0 880 05/08		200		286

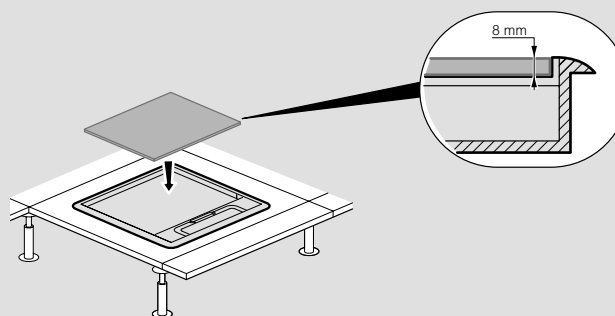


## STAINLESS STEEL FINISHING PLATE FOR PLASTIC LIDS AND TRIMS

### ■ Dimensions

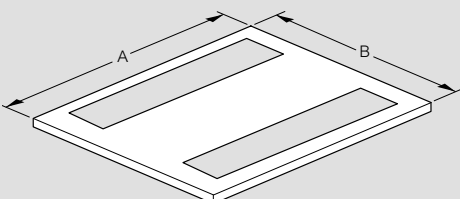


Cat.No	A (mm)	B (mm)
0 880 15	244	116
0 880 17		199

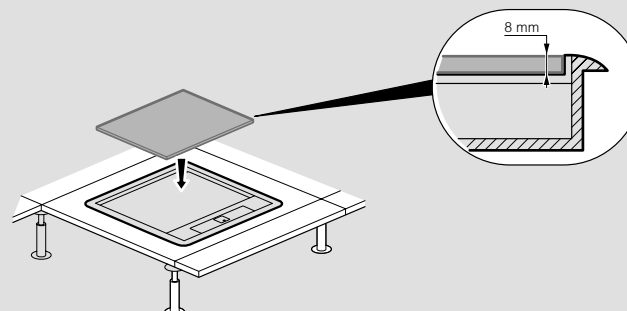


## STAINLESS STEEL FINISHING PLATE FOR STAINLESS STEEL LIDS AND TRIMS

### ■ Dimensions



Cat.No	A (mm)	B (mm)
0 880 45	248	116
0 880 47		199







**Legrand Australia**

Building 4, Nexus Industry Park  
43-47 Lyn Parade, Prestons NSW 2170  
Tel.: 1300 369 777  
[www.legrand.com.au](http://www.legrand.com.au)

**Legrand New Zealand**

106-124 Target Road  
Glenfield, Auckland 0627  
Tel.: 0800 476 009  
[www.legrand.co.nz](http://www.legrand.co.nz)